

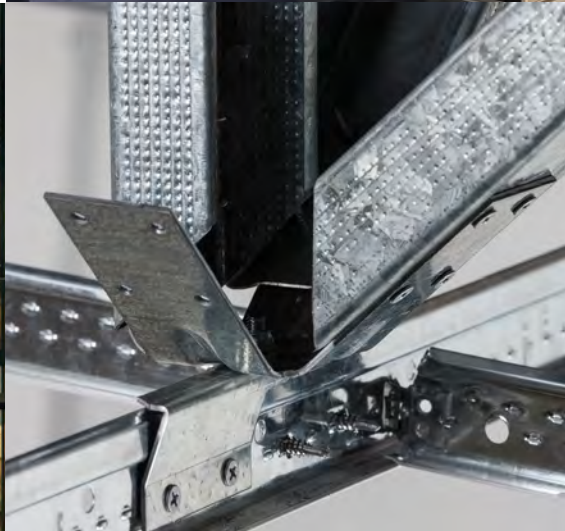
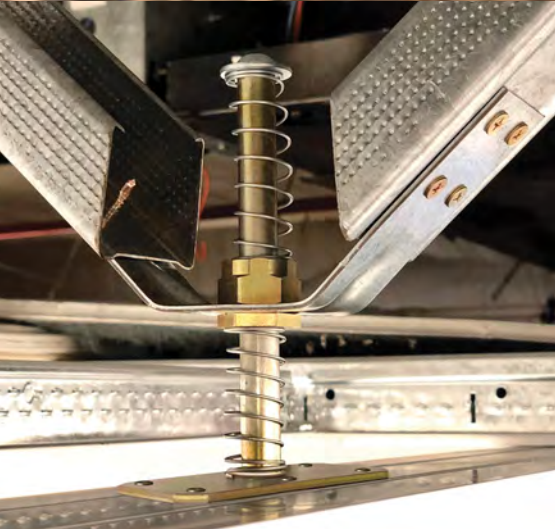


**SEISMIC & WIND
BRACING GUIDE
PARTITIONS & CEILINGS**

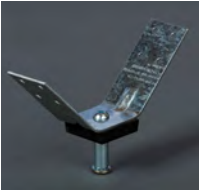
AUSTRALIA - SEPTEMBER 2023



TRACKLOK®



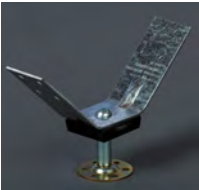
SEISMIC WALL BRACING



TRACKLOK®

Connect through the head track (min .75BMT Steel or 1.3mm Aluminium Section) utilising the connection bolt provided. Requires access to the head track and is suited to new installs.

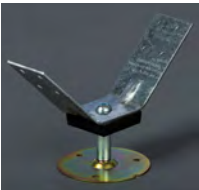
CODE: TRL



TRACKLOK® RETRO

Connect to the head track (min .75BMT Steel or 1.3mm Aluminium Section) utilising minimum 10 gauge wafer tek screws. Bring an existing fit out up to code, or create time efficiencies by bracing after lining.

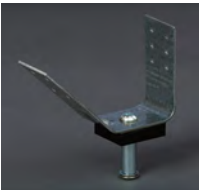
CODE: TRLR



TRACKLOK® TIMBA

Connect to the timber top plate (90 x 45mm SG8 Radiata Pine or Douglas Fir) utilising minimum 10 gauge 35mm wood screws.

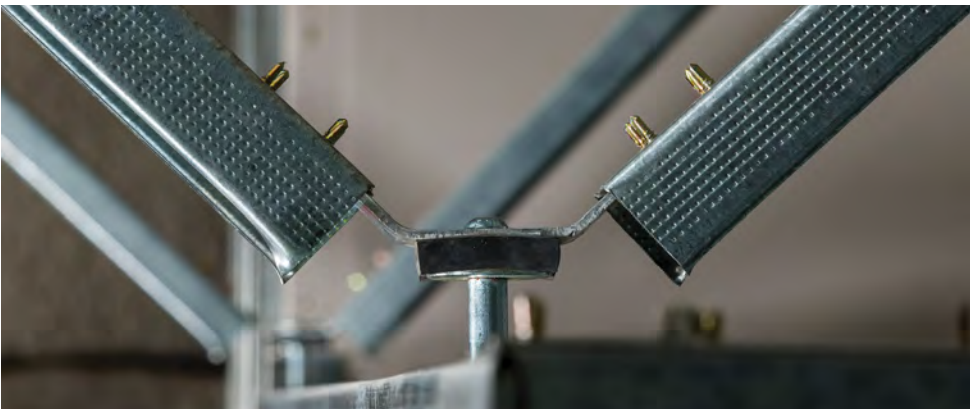
CODE: TRLT



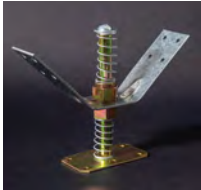
TRACKLOK® VERT

Utilises a vertical arm to avoid service clashes. Available with connection bolt, RETRO or TIMBA. Connect to the head track (min .75BMT Steel or 1.3mm Aluminium Section) with 10 gauge wafer tek screws or timber top plate (90 x 45mm SG8 Radiata Pine or Douglas Fir) with 10 gauge 35mm wood screws.

CODE: TRLV / TRVR



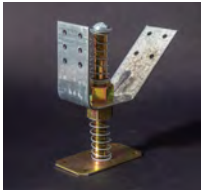
SEISMIC WALL BRACING



DEFLOK®

Allows for + / - 35mm of vertical deflection in a sealed unit. Connect to the head track (min .75BMT Steel or 1.3mm Aluminium Section) with 10 gauge wafer tek screws or timber top plate (90 x 45mm SG8 Radiata Pine or Douglas Fir) with 10 gauge 35mm wood screws.

CODE: DFK-10



DEFLOK® VERT

Allows for + / - 35mm of vertical deflection in a sealed unit. Utilises a vertical arm to avoid service clashes. Connect to the head track (min .75BMT Steel or 1.3mm Aluminium Section) with 10 gauge wafer tek screws or timber top plate (90 x 45mm SG8 Radiata Pine or Douglas Fir) with 10 gauge 35mm wood screws.

CODE: DFK-10V



TRACKLOK® FLAT

Brace horizontally from one wall to another; allowing for unlimited vertical deflection, ultimate clash avoidance and accommodate impractical plenum heights. Connect to the head track (min .75BMT Steel or 1.3mm Aluminium Section) with 10 gauge wafer tek screws or timber top plate (90 x 45mm SG8 Radiata Pine or Douglas Fir) with 10 gauge 35mm wood screws. Vertical adjustability is built into each unit to accommodate for troffer lights and sprinkler pipes.

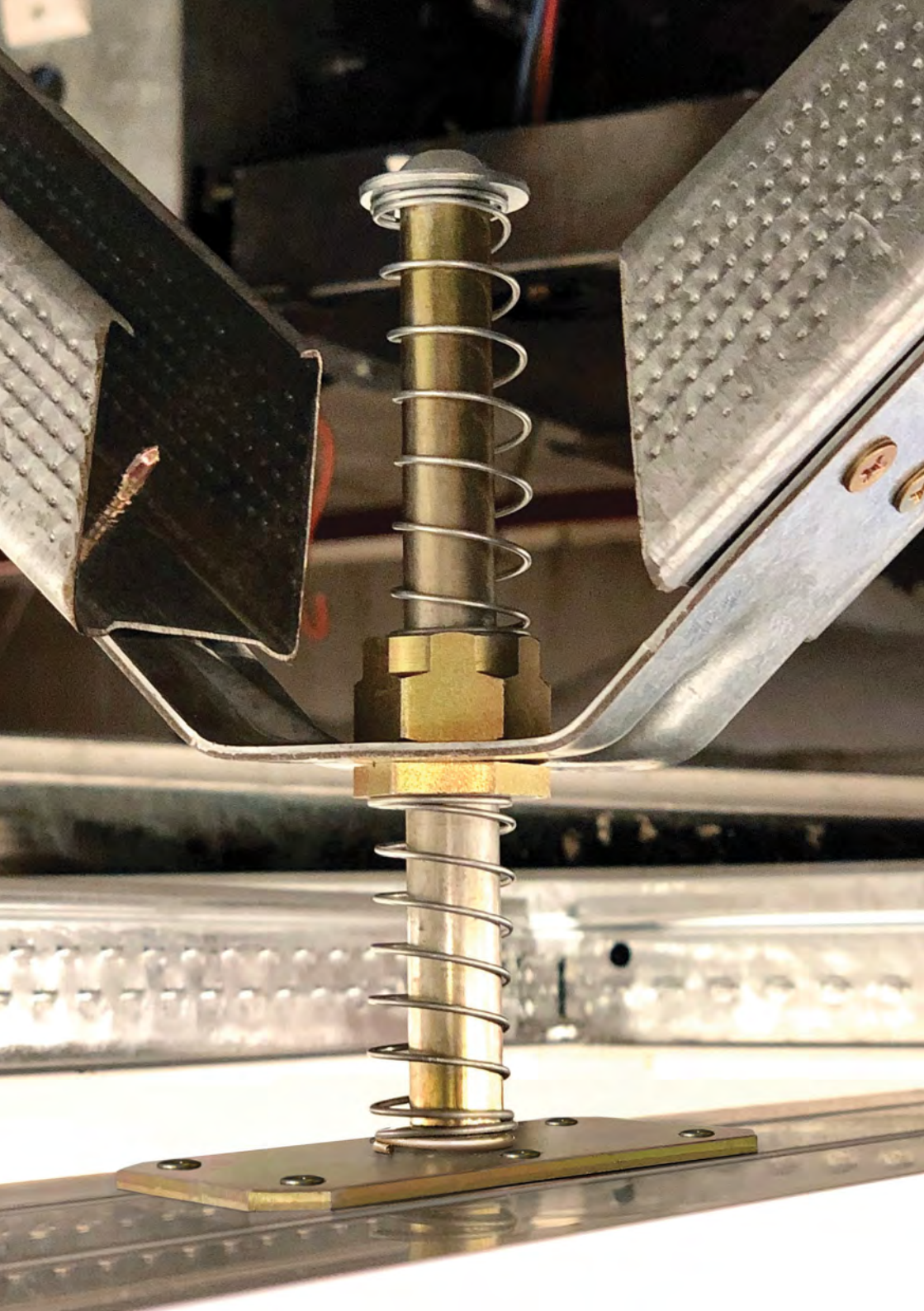
CODE: TRLF / TRFR

FEATURES AND BENEFITS

- Pre-engineered, extensively tested and internationally accredited
- Provides for separation of wall and ceiling systems
- Preserves ceiling system warranty
- Provides bracing arm flexibility from 30 – 60° (Steel stud braces should be designed by an engineer when brace arms are outside 30 – 60° range)
- Top connector plates included in every box
- See the plenum height chart and utilise steel stud for bracing arms
- Set out charts provide clear guidance on placement
- Use plans@tracklok.com or our online portal for a marked up plan
- Utilised in IL2, IL3 and IL4 buildings

COMPLIANCE

- AS/NZS 1170
- AS 1170.4
- NZS 4219



SEISMIC & WIND ZONE MAP



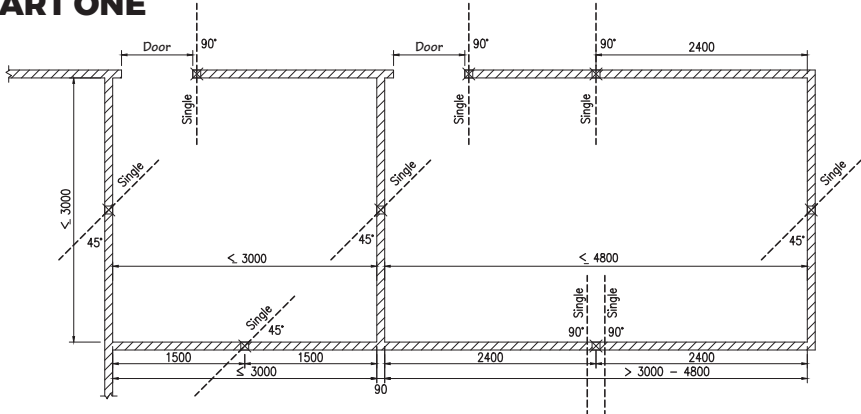
REGION A	CHART 1
REGION B	CHART 2
REGION C	CHART 3
REGION D	SPECIFIC ENGINEERING REQUIRED

NOTES

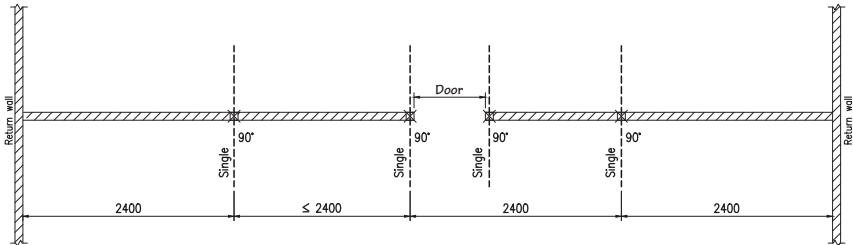
1. Islands within 50km of the coast are designated in the same region as the adjacent coast.
2. Coastal region boundaries designated at 50km intervals.
3. For further details please refer to Figure 3.1(A) - Wind Regions - Australia as per AS/NZS 1170.2:2021

BRACING CHARTS

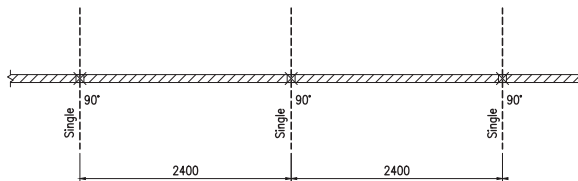
CHART ONE



BRACING AROUND SMALL ROOMS



BRACING BETWEEN RETURN WALLS



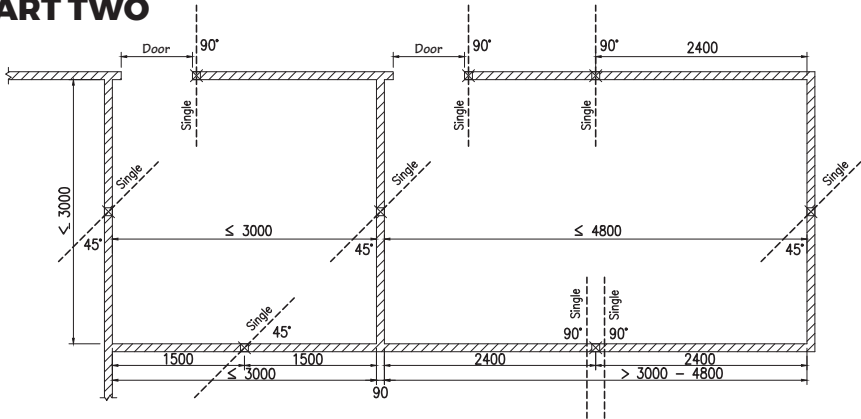
STRAIGHT WALLS WITH NO RETURN WALLS

NOTES

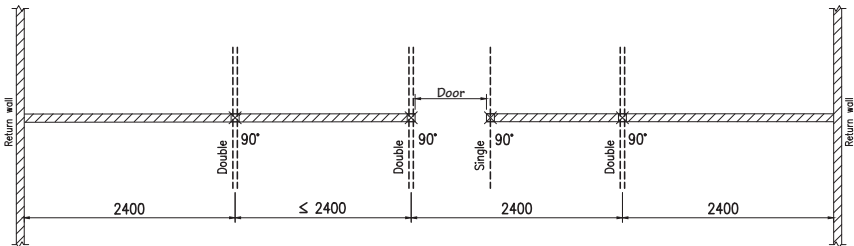
1. Height (m) is from lowest floor in building to floor above partition.
2. Spacings based on horizontal load < 0.75 kN/m.
3. Allows for 50mm of inter story drift.
4. For wall heights up to 3.0m.
5. For wall weights up to 40kg per m².
6. Each dashed line represents one brace.

BRACING CHARTS

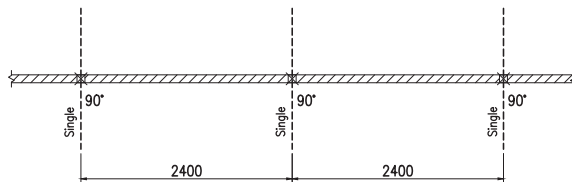
CHART TWO



BRACING AROUND SMALL ROOMS



BRACING BETWEEN RETURN WALLS

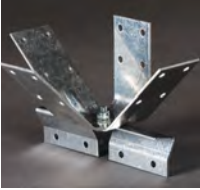


STRAIGHT WALLS WITH NO RETURN WALLS

NOTES

1. Height (m) is from lowest floor in building to floor above partition.
2. Spacings based on horizontal load $< 1.20 \text{ kN/m}$.
3. Allows for 50mm of inter story drift.
4. For wall heights up to 3.0m.
5. For wall weights up to 40kg per m².
6. Each dashed line represents one brace.

SEISMIC CEILING BRACING



GRIDLOK®

Seismic bracing for two way and drywall suspended grid ceiling systems. Simple click fit and screw off process. Utilise minimum 10 gauge wafer tek screws.

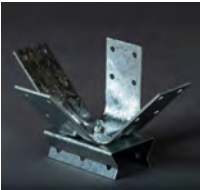
CODE: GDL



GRIDLOK® PEAK FORM

Seismic bracing for two way and drywall suspended grid ceiling systems featuring a higher bulb. Simple click fit and screw off process. Utilise minimum 10 gauge wafer tek screws.

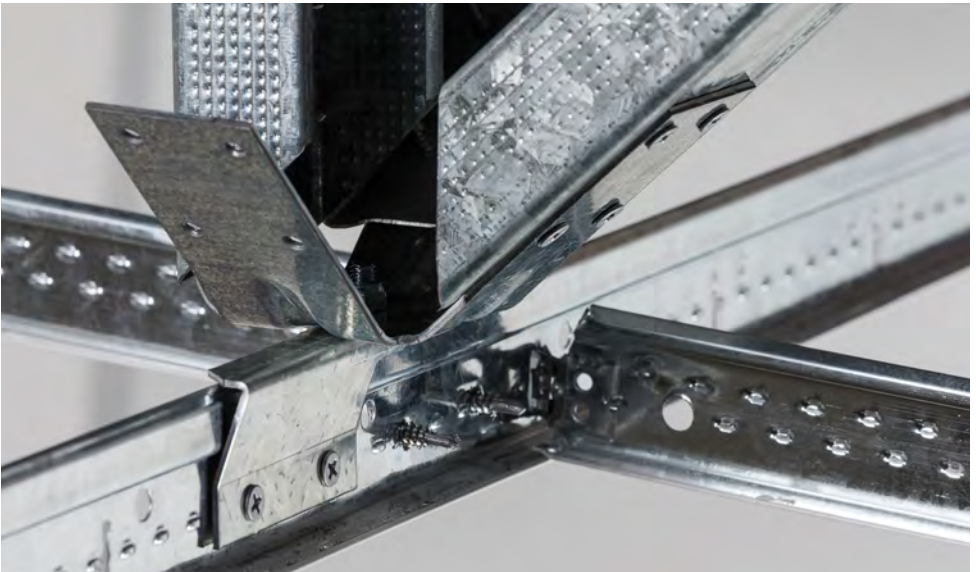
CODE: GDLP



GRIDLOK® FURRING CHANNEL

Seismic bracing for drywall suspended screw fix systems where connection to the furring channel is required. Simple click fit and screw off process. Utilise minimum 10 gauge wafer tek screws.

CODE: GDLF



SEISMIC CEILING BRACING



GRIDLOK® TCR

Seismic bracing for drywall suspended screw fix systems where connection to the top cross rail (TCR) is required. Simple click fit and screw off process. Utilise minimum 10 gauge wafer tek screws.

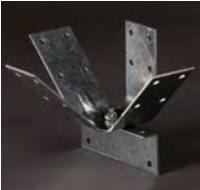
CODE: GDLS



GRIDLOK® U-PROFILE

Seismic bracing for drywall suspended grid systems where connection to the U Profile is required. Simple click fit and screw off process. Utilise minimum 10 gauge wafer tek screws.

CODE: GDLU



GRIDLOK® C-CHANNEL

Seismic bracing for drywall suspended grid systems where connection to the C-Channel is required. Simple click fit and screw off process. Utilise minimum 10 gauge wafer tek screws.

CODE: GDLC

FEATURES AND BENEFITS

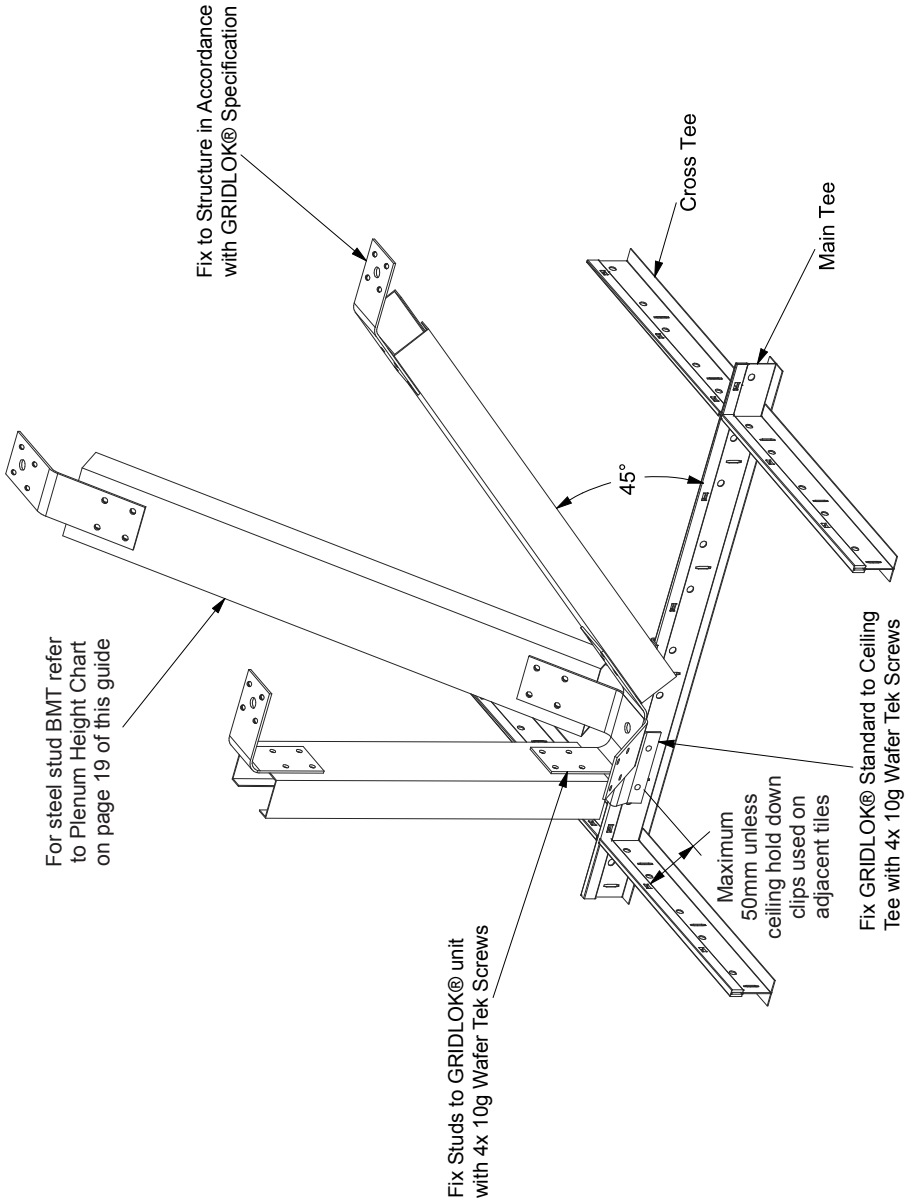
- Pre-engineered, extensively tested and internationally accredited
- Provides up to a maximum of 280kg/f
- Reduces install time to 15 minutes per brace
- Rotate unit through 360° for optimum bracing footprint
- Connection saddles designed for all ceiling systems
- Provides bracing arm flexibility from 30 - 60°
- Top connector plates included in every box
- See the plenum height chart and utilise steel stud for bracing arms
- Utilised in IL2, IL3 and IL4 buildings

COMPLIANCE

- AS/NZS 2785
- AS/NZS 1170
- AS 1170.4
- NZS 4219

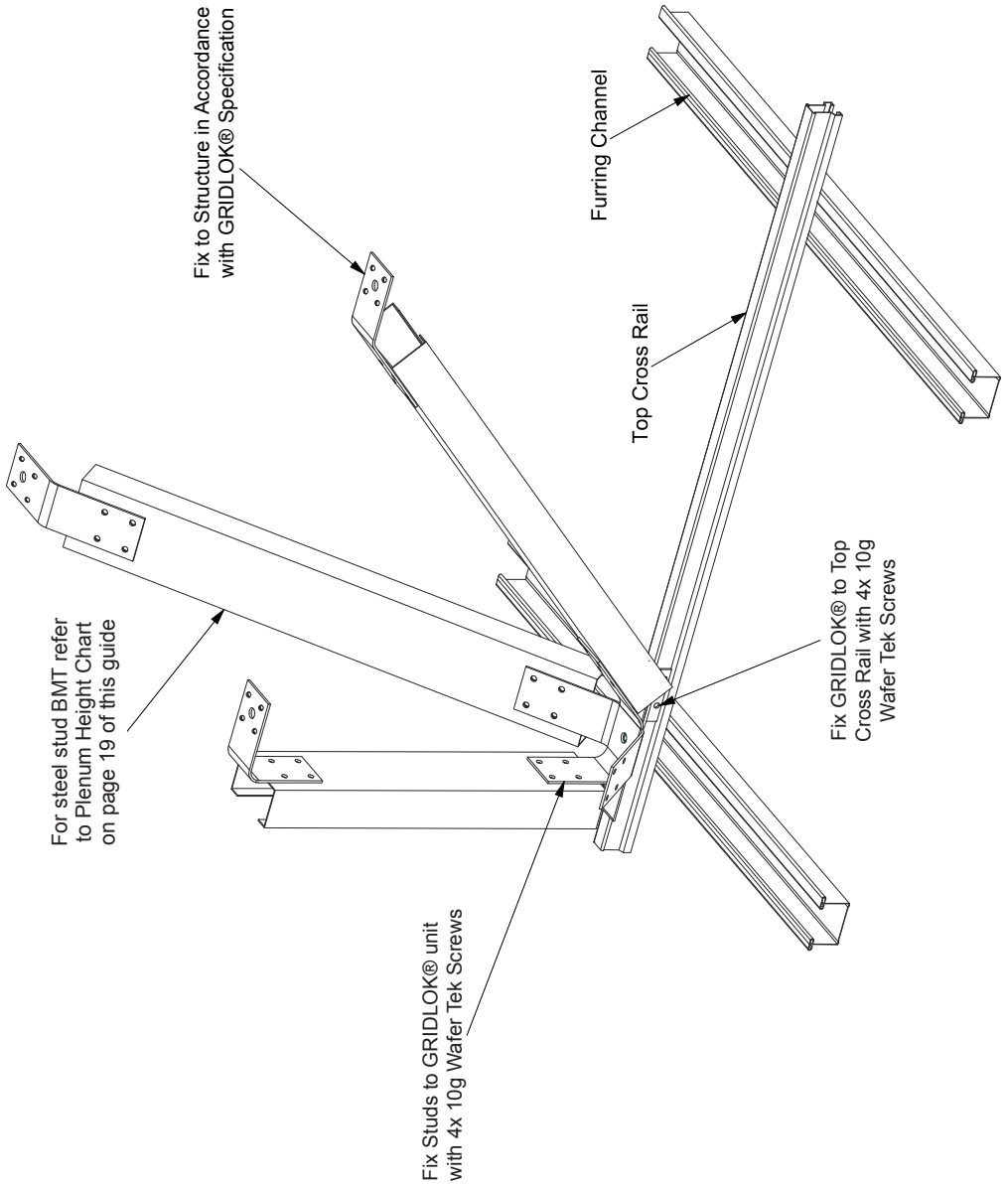
ISOMETRICS

GRIDLOK®



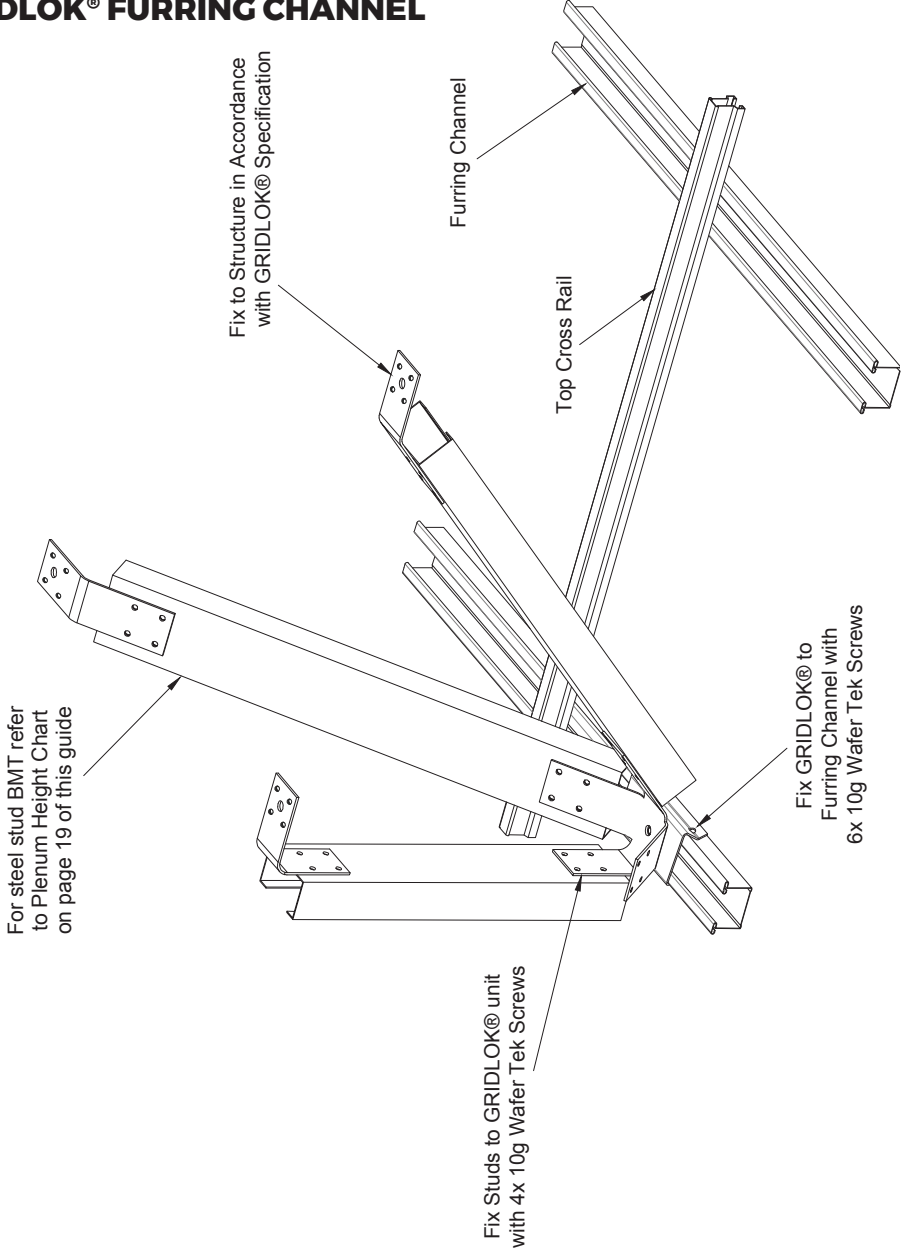
ISOMETRICS

GRIDLOK® TCR



ISOMETRICS

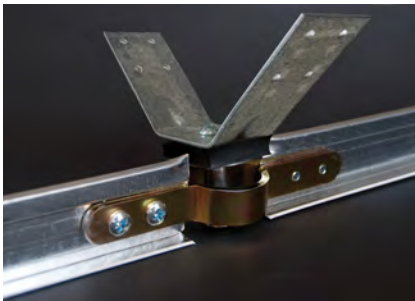
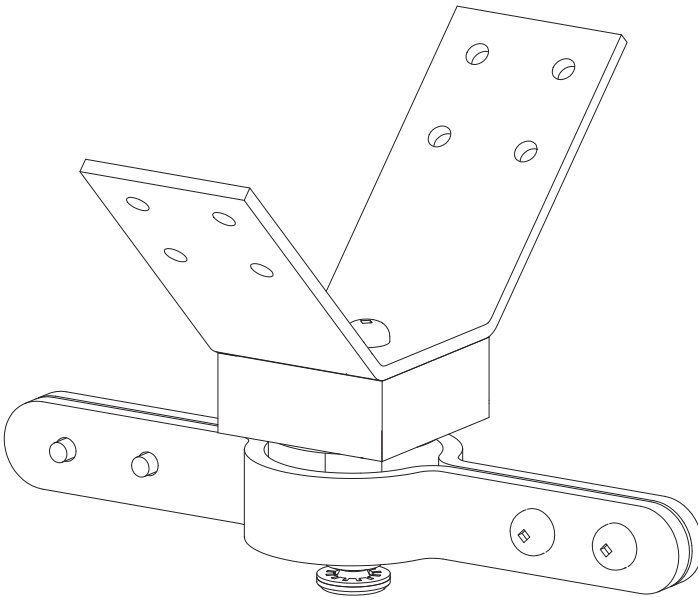
GRIDLOK® FURRING CHANNEL



ACCESSORIES

GAPLOK

On occasion, a partition wall or a glazing line placement may coincide with the main runner or nog of a two-way grid ceiling system. In this instance, there would be no way for a TRACKLOK® to pass through the grid, with the required clearance. GAPLOK has been carefully designed, developed and engineered to allow installers to accommodate TRACKLOK® bracing in these instances. GAPLOK provides for 316kgf of capacity.

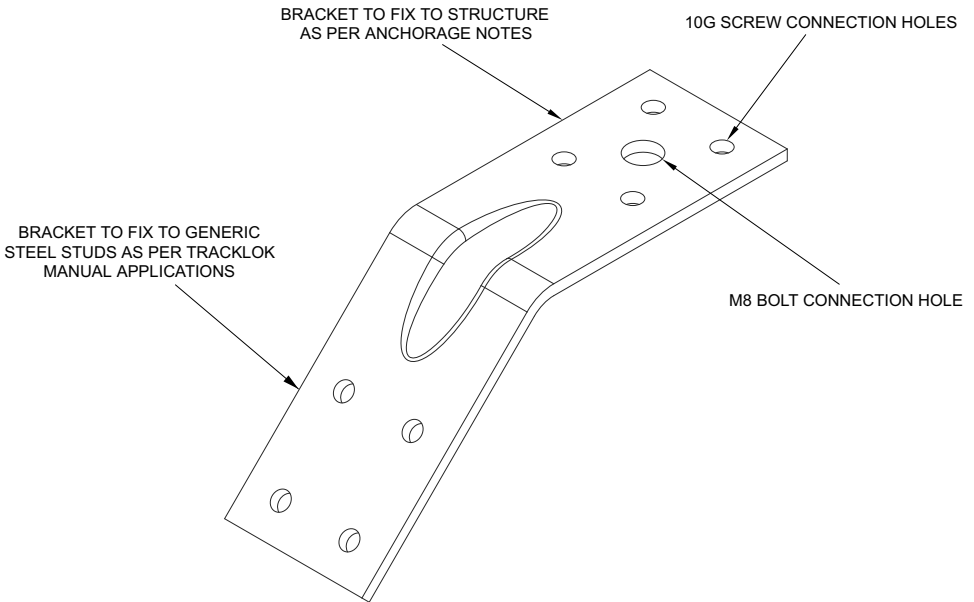


GAPLOK

Allows installers to take a 40mm section out of the grid. Clamp GAPLOK to either side of the remaining grid section to bridge the gap, reinstate the grid's structural integrity and allow the clearance required of the TRACKLOK® unit.

STOCK CODE: GPL

ACCESSORIES



BULKHEAD & BRIDGING CONNECTOR 45

Designed and tested to provide a consistent and quantifiable connection capacity. Used in conjunction with steel stud to brace bulkheads. Our height vs centres chart provides install guidance. Also, used to assist in the bridging of services.

STOCK CODE: BC-45 (SOLD IN PAIRS)

STRUCTURE ANCHORAGE NOTES

CONCRETE:

- Stud anchor 50mm(min) embedment
- Screw anchor 55mm(min) embedment

STEEL:

- M8 Cl. 4.8 bolt/nut into 1.15BMT(min)
- 4x 10g wafer tek screws into 0.75BMT(min)

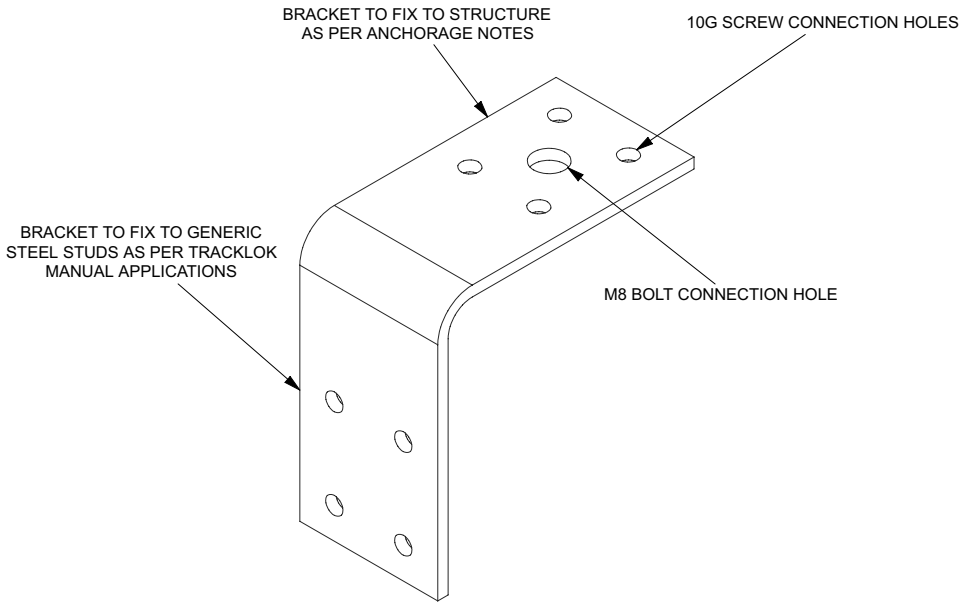
TIMBER:

- M8 x 75 coach screw full penetration
- M8 Cl. 4.8 bolt/nut with 20 x 20 x 1.5 washer
- 4x 10g x 35 woodscrews 30mm(min) penetration

NOTES

- Structural engineer should confirm loading into structure
- Consult TRACKLOK® manual for permissible applications
- Do not bend bracket to suit angle

ACCESSORIES



BRIDGING CONNECTOR 90

Designed and tested to provide a consistent and quantifiable connection capacity. Used in conjunction with steel stud to bridge purlins allowing parallel and perpendicular bracing connections.

STOCK CODE: BC-90 (SOLD IN PAIRS)

STRUCTURE ANCHORAGE NOTES

CONCRETE:

- Stud anchor 50mm(min) embedment
- Screw anchor 55mm(min) embedment

STEEL:

- M8 Cl. 4.8 bolt/nut into 1.15BMT(min)
- 4x 10g wafer tek screws into 0.75BMT(min)

TIMBER:

- M8 x 75 coach screw full penetration
- M8 Cl. 4.8 bolt/nut with 20 x 20 x 1.5 washer
- 4x 10g x 35 woodscrews 30mm(min) penetration

NOTES

- Structural engineer should confirm loading into structure
- Consult TRACKLOK® manual for permissible applications
- Do not bend bracket to suit angle

APPENDIX - TRACKLOK®

OVERVIEW

This report outlines the methods that shall be adopted for Specific Engineering Design (SED) for TRACKLOK® bracing systems for non-load bearing internal walls. Design shall be carried out in accordance with B1 of the National Construction Code. The partition studs and connections are not considered as part of this scope, however need to be considered within the design.

LOADING METHODOLOGY

Loading Standards

The following standards shall be used to determine the design actions on the systems:

- AS/NZS 1170.0:2002 - Structural Design Actions - General Principles
- AS/NZS 1170.2:2011 - Structural Design Actions - Wind Actions
- AS 1170.4:2007 - Structural Design Actions - Earthquake Actions

Load combinations shall be applied as per AS/NZS 1170.0. ULS design shall be implemented for the bracing elements, and SLS deflection requirements should be considered for items such as the wall studs and headtrack to limit damage of the wall.

Seismic Action Assumptions

AS 1170.4 - Section 8 shall be used to determine the horizontal and vertical design actions upon the system. The following assumption should be adopted for bracing design:

- Site Subsoil Class C_e
- Ductility, $\mu = 1.0$
- Component Amplification Factor, $a_c = 1.0$
- Component Ductility Factor, $R_c = 1.0$

Note: this is for ULS design as per "Loading Methodology" section in manual. $\mu = 1.0$ as connections/buckling is limiting. AS 4600 has a maximum value of 1.25 and we have taken the conservative option of 1.0 for non-ductile connections.

Wind Action Assumptions

AS/NZS 1170.2 shall be used to determine the horizontal and vertical design actions upon the system. The following should be adopted for internal walls that do not form a permanent seal:

- Net Pressure Coefficient, $C_{fig} = \pm 0.4$
- Dynamic Response Factor, $C_{dyn} = 1.0$

Note: that external walls will have a higher net pressure coefficient and shall be considered as part of specific engineering design.

Live Actions Assumptions

Soft Body Impact as per Table C1 of AS/NZS 1170.0 shall be considered as follows:

- $Q = 0.7kN$

DESIGN METHODOLOGY

Tributary Area

The tributary area method shall be used to determine the bracing demand. The braces are designed to withstand out of plane loads, as shown in Figure 1 below.

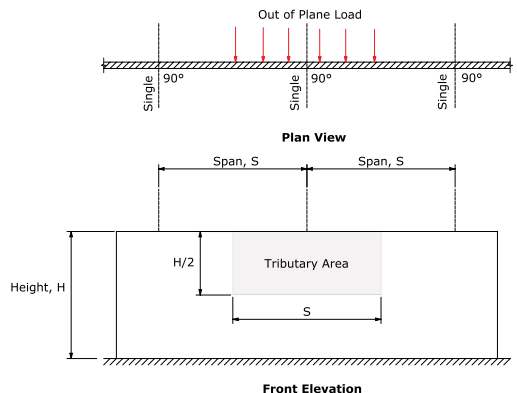


Figure 1 - Tributary area diagram for design

APPENDIX - TRACKLOK®

The following assumptions are used:

- The partition wall is sufficiently supported along the floor track
- The partition wall has sufficient shear resistance in plane
- The headtrack and wall studs have sufficient capacity to transfer load between braces

Brace Demand

The bracing demand shall be within the permissible ratings of each TRACKLOK® component. Specific engineering design around studs and structure fixings are permissible, so long as the demand does not exceed the TRACKLOK® ratings. TRACKLOK® components are rated as shown in Figure 2 below. Bracing angles shall be considered to determine loading in other parts of the design.

Figure 2 (opposite) - Illustration of TRACKLOK® component ratings

TRACKLOK® components have the following ratings:

TRACKLOK®	2.37kN
TRACKLOK® PLUS	2.37kN
TRACKLOK® FLAT	2.37kN
TRACKLOK® VERT	2.37kN
DEFLOK®	2.37kN
DEFLOK® VERT	2.37kN

Table 1 below, shows TRACKLOK® ratings based on plenum height.

DESIGN VERIFICATION

The following standards should be used to validate specific engineering design:

- Steel Studs & Connections: AS/NZS 4600:2005 - Cold-Formed Steel Structure
- Timber Studs & Connections: NZS 3603:1993 - Timber Structures Standard
- Concrete Anchors: NZS 3101:2006 - Concrete Structures Standard

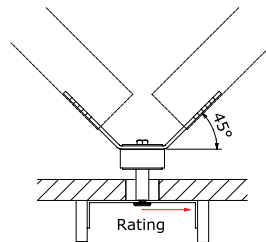


Table 1: Permissible horizontal loads in accordance with AS/NZS 4600

PLENUM HEIGHT MM	64 X 0.55BMT STUDS*	92 X 0.75BMT STUDS*	64 X 0.55BMT BOXED STUDS*	92 X 0.75BMT BOXED STUDS*
0 - 600	250kgf/2.45kN	280kgf/2.75kN	250kgf/2.45kN	280kgf/2.75kN
600 - 1000	250kgf/2.45kN	280kgf/2.75kN	250kgf/2.45kN	280kgf/2.75kN
1000 - 1400	250kgf/2.45kN	280kgf/2.75kN	250kgf/2.45kN	280kgf/2.75kN
1400 - 1800	160kgf/1.57kN	270kgf/2.65kN	250kgf/2.45kN	280kgf/2.75kN
1800 - 2200	110kgf/1.07kN	180kgf/1.77kN	250kgf/2.45kN	280kgf/2.75kN
2200 -2600	80kgf/.78kN	130kgf/1.27kN	250kgf/2.45kN	280kgf/2.75kN
2600 - 3000	60kgf/.58kN	100kgf/.98kN	190kgf/1.86kN	280kgf/2.75kN
3000 - 3500	-	-	140kgf/1.37kN	280kgf/2.75kN
3500 - 4000	-	-	100kgf/.98kN	210kgf/2.05kN

* Stud to TRACKLOK®/DEFLOK® connection to consist of 4/10g tek screws.

NOTE: Tables suitable for brace arm degree range set 40 – 60°. Brace arms set at 30 – 40° range a 30% reduction in stud capacity applies.

APPENDIX - GRIDLOK®

OVERVIEW

This report outlines the methods that shall be adopted for Specific Engineering Design (SED) for seismic bracing using GRIDLOK® for suspended ceilings. Design shall be carried out in accordance with B1 of the National Construction Code. Vertical loading and specific suspended ceiling system design is not covered within this scope.

LOADING METHODOLOGY

Loading Standards

The following standards shall be used to determine the design actions on the systems:

- NZS 1170.5:2004 - Structural Design Actions - Earthquake Actions
- AS/NZS 1170.2:2021 - Structural Design Actions - Wind Action
- AS/NZS 2785:2020 - Suspended Ceilings - Design and Install

Load combinations shall be applied as per AS/NZS 2785. ULS design shall be implemented for the bracing elements as per Section 8 of AS 1170.4.

Seismic Action Assumptions

AS 1170.4 - Section 8 shall be used to determine the horizontal and vertical design actions upon the system. The following assumption should be adopted for bracing design:

- Site Subsoil Class C_e
- Ductility, $\mu = 1.0$
- Component Amplification Factor, $a_c = 1.0$
- Component Ductility Factor, $R_c = 1.0$

Wind Action Assumptions

Where the ceiling is raking, lateral restraint will be required to resist wind loads. AS/NZS 1170.2 shall be used to determine the horizontal and vertical design actions upon the system. The following should be adopted for ceilings that do not form a permanent seal:

- Net Pressure Coefficient, $C_{fig} = \pm 0.4$
- Dynamic Response Factor, $C_{dyn} = 1.0$

Note that external ceilings and soffits have a higher net pressure coefficient and shall be considered as part of specific engineering design.

DESIGN METHODOLOGY

Tributary Area

The tributary area method shall be used to determine the bracing demand. The braces are designed to withstand lateral loads, as shown in Figure 1 below. The following assumptions are used:

- A minimum of two braces are used for stability
- All ceiling perimeters are to have a floating connection to allow for inter-story drift
- Maximum ceiling tee lengths to be checked as per manufacturer's requirements
- Vertical suspension as per manufacturer's requirements
- The ceiling behaves as a rigid diaphragm
- Manufacturer seismic requirements are complied with

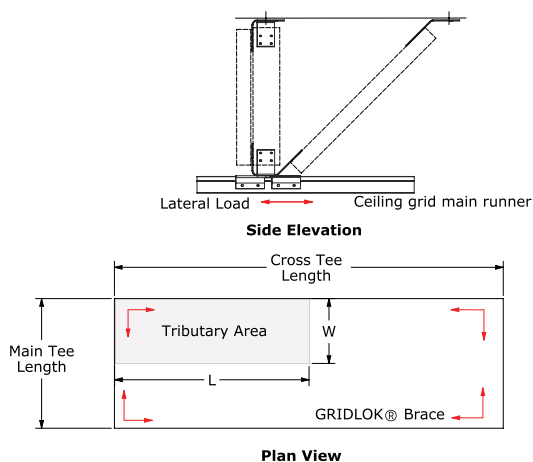


Figure 1 - Tributary area diagram for design

APPENDIX - GRIDLOK®

Brace Demand

The bracing demand shall be within the permissible ratings of each GRIDLOK® component. Specific engineering design around studs and structure fixings are permissible, so long as the demand does not exceed the maximum GRIDLOK® rating of 280kgf.

Tributary Area Demand < GRIDLOK® Capacity

Table 1 below, shows GRIDLOK® ratings based on plenum height.

Table 1: Permissible horizontal loads in accordance with AS/NZS 4600

PLENUM HEIGHT MM	64 X 0.55BMT STUDS*	92 X 0.75BMT STUDS*	64 X 0.55BMT BOXED STUDS*	92 X 0.75BMT BOXED STUDS*
0 - 600	250kgf/2.45kN	280kgf/2.75kN	250kgf/2.45kN	280kgf/2.75kN
600 - 1000	250kgf/2.45kN	280kgf/2.75kN	250kgf/2.45kN	280kgf/2.75kN
1000 - 1400	250kgf/2.45kN	280kgf/2.75kN	250kgf/2.45kN	280kgf/2.75kN
1400 - 1800	160kgf/1.57kN	270kgf/2.65kN	250kgf/2.45kN	280kgf/2.75kN
1800 - 2200	110kgf/1.07kN	180kgf/1.77kN	250kgf/2.45kN	280kgf/2.75kN
2200 -2600	80kgf/.78kN	130kgf/1.27kN	250kgf/2.45kN	280kgf/2.75kN
2600 - 3000	60kgf/.58kN	100kgf/.98kN	190kgf/1.86kN	280kgf/2.75kN
3000 - 3500	-	-	140kgf/1.37kN	280kgf/2.75kN
3500 - 4000	-	-	100kgf/.98kN	210kgf/2.05kN

* Stud to GRIDLOK® connection to consist of 4/10g tek screws.

NOTE: Tables suitable for brace arm degree range set 40 – 60°. Brace arms set at 30 – 40° range a 30% reduction in stud capacity applies.

DESIGN VERIFICATION

The following standards should be used to validate specific engineering design:

- Steel Studs & Connections: AS/NZS 4600:2005 - Cold-Formed Steel Structures
- Timber Studs & Connections: NZS 3603:1993 - Timber Structures Standard
- Concrete Anchors: NZS 3101:2006 - Concrete Structures Standard

TERMS & CONDITIONS

TRACKLOK® INSTALLATION/

Must be installed in accordance with manufacturers specification and within the parameters of AS1170.4. Install sheets are available online and in every box of TRACKLOK® | TRACKLOK® RETRO | TRACKLOK® TIMBA | TRACKLOK® VERT | TRACKLOK® FLAT. Partition walls must be installed as per manufacturers recommendation. Create a minimum clearance of 10mm from unit to ceiling tile and/or grid. Installation at centres and configurations as referenced in set out sheets. Set out sheets cover standard partitioning requirements; construction outside of available set out sheet information will require consultation and approval. Approved seismic fixings to be used for attachment to structure over. Architect and/or Structural Engineer and relevant regulatory bodies must approve variations of installation. Bracing material must be fixed with 10-gauge drill point wafer head tek screws. Steel bracing material must be as per plenum height charts or as designed by engineer. Although all aluminium head track with a material thickness of 1.3mm – 1.8mm is acceptable for use, we do not take responsibility or liability for performance of, or installation of partition or glazing head track. Use of .55BMT steel track, as head section is not permitted under this specification. Installation is required 100mm – 300mm from the end of blade walls. T section walls are deemed self-supporting requiring unit to be placed at distance specified by the set out sheets. The unit must not be deformed or altered in any way. Ceiling void heights over 2.0 meters require stud bracing to be boxed. Continuous head track over door requires unit to be installed on latch side, broken head track over door requires units to be installed on latch side and hinge side. Tenancy changes requiring walls to be moved require new units to be installed.

LIMITATIONS

For interior application only. Designed to secure standard steel, aluminium and timber partition walls and glazed walls. Not applicable for supporting walls constructed from concrete, tilt slab or block. Structural engineer and regulatory body must seismically approve configurations outside of specifications. The unit and or bracing material must not be used as an anchor point or fixing point by associated trades. Use of this product does not increase the seismic load capacity of installed ceiling grid.

GRIDLOK® INSTALLATION

Must be installed in accordance with manufacturers specification and within the parameters of AS1170.4 NZS4219 AS/NZS2785. Install sheets are available online and in every box of GRIDLOK®. Ceilings must be installed as per manufacturers recommendation. Installation at centres and configurations as referenced by ceiling designers, ceiling manufacturers recommendations given GRIDLOK® capacity. Construction outside of available information will require consultation and approval. Approved seismic fixings to be used for attachment to structure over. Architect and / or structural engineer plus relevant regulatory bodies must approve variations of installation. Bracing material must be fixed with 10-gauge drill point wafer head tek screws. Steel bracing material must be 64mm .55 BMT, .75 BMT or 1.15 BMT or 92mm .55 BMT, .75 BMT or 1.15 BMT. All GRIDLOK® units and bracing must be checked after seismic event for signs

of wear. GRIDLOK® is not intended to replace ceiling suspension wires, which must be installed as per manufacturers specification. Although all ceiling grid is acceptable for use we do not take responsibility or liability for performance of, or installation of ceiling grid. The unit must not be deformed or altered in any way. Tenancy changes requiring new ceiling installation requires new GRIDLOK® units to be installed.

LIMITATIONS

For interior application only. Structural engineer and regulatory body must seismically approve configurations outside of specifications. The unit and / or bracing material must not be used as an anchor point or fixing point by associated trades.

DEFLOK® INSTALLATION

Must be installed in accordance with manufacturers specification and within the parameters of AS1170.4. Install instructions for DEFLOK® RETRO | DEFLOK® TIMBA | DEFLOK® VERT are available online at www.tracklok.com. Partition walls must be installed as per manufacturers recommendation. Create a minimum clearance of 10mm from unit to ceiling tile and/or grid. Installation at centres and configurations as referenced in plan mark out provided by plans@tracklok.com. Reflected Ceiling Plan markup covers standard partitioning requirements; construction outside of these parameters may need additional information and/or will require consultation and approval. Approved seismic fixings to be used for attachment to structure over. Architect and / or Structural engineer and relevant regulatory bodies must approve variations of installation. Bracing material must be fixed with 10-gauge drill point wafer head tek screws. Steel bracing material must be 64mm .75 BMT or 92mm .75 BMT. Although all aluminium head track with a material thickness of 1.3mm – 1.8mm is acceptable for use we do not take responsibility or liability for performance of or installation of partition or glazing head track. Use of .55BMT steel track, as head section, is not permitted under this specification. Installation is required 100mm – 300mm from the end of blade walls. T intersection walls are deemed self-supporting requiring unit to be placed at a minimum of 1500mm. The unit must not be deformed or altered in any way. Ceiling void heights over 3150mm require stud bracing to be boxed. Continuous head track over door requires unit to be installed on latch side, broken head track over door requires units to be installed on latch side and hinge side. Tenancy changes requiring walls to be moved require new units to be installed.

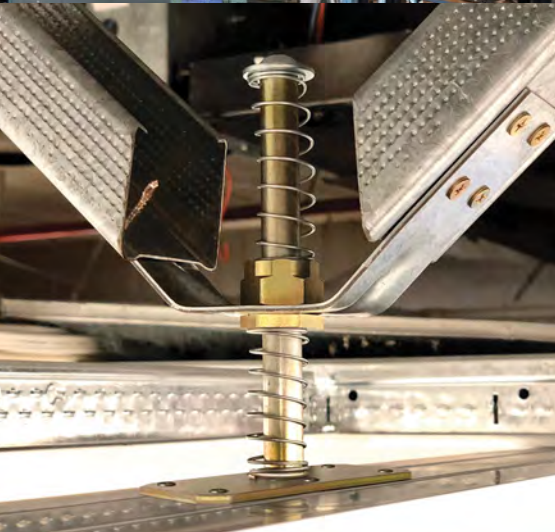
LIMITATIONS

For interior application only. Designed to secure standard steel, aluminum and timber partition walls and glazed walls. Not applicable for supporting walls constructed from concrete, tilt slab or block. Structural engineer and regulatory body must approve configurations outside of specifications. The unit and or bracing material must not be used as an anchor point or fixing point by associated trades. Use of this product does not increase the seismic load capacity of installed ceiling grid, unless otherwise stated.

NOTICE

We shall not be liable for incidental and consequential damages, directly or indirectly sustained, nor for any loss caused by application of these goods not in accordance with current printed instructions or for other than intended use. Our liability is expressly limited to replacement of defective goods. Any claim shall be deemed waived unless made in writing to us within thirty (30) days from the date it was or reasonably should have been discovered.

The information presented is correct to the best of our knowledge at the date of issuance. Because codes continue to evolve, check with a local official prior to designing and installing. Other restrictions and exemptions may apply.



**PLAN MARKUP
& TECH SUPPORT**

Ph +64 21 170 8734
plans@tracklok.com

ORDERS & LOGISTICS

Ph +64 21 645 174
orders@tracklok.com

SALES & INFO

Ph +64 21 152 9136
info@tracklok.com

TRACKLOK Ltd

PO Box 31270, Milford, Auckland 0620

tracklok.com